



A CIRCOR International company

Flomite® 71 Series

2-way Integral Panel Mount Ball Valves



Used for quick on-off service with a visual indication of flow, HOKE's 2-way ball valves offer an orifice size up to 0.25 inches. Flomite® valves feature floating ball design, encapsulated seats and check seals to ensure leak-tight service and extended service life.

Features & Benefits

Visual flow indication

- Quarter-turn handle indicates on-off flow

Bi-directional leak-tight sealing

- Dual encapsulated TFE or Kel-F® seats and microfinished ball ensure a leak-tight seal

Helps eliminate fugitive emissions

- Dyna-Pak® packing provides a leak-tight seal with low operating torque in vacuum or high pressure applications

High cycle life

- Floating ball provides pressure-assisted sealing and temperature & wear compensation

Compatibility

- A variety of body and seat/washer materials are provided

Installation variety

- Select from HOKE Gyrolok® tube fittings or pipe-ended models

Panel mounting

- Panel mounting is standard on all models

Typical Applications

- Instrument panels
- High pressure instrument lines
- Gas sampling in pilot plants
- Full flow and shutoff in chromatographs
- Hydraulic test stands
- Gas sampling cylinders
- Handling corrosive and viscous fluids

Technical Data

OPERATING PRESSURE RANGE**	Moderate vacuum* to 6000 psig @ 70° F (41.4 MPa @ 21° C)
OPERATING TEMPERATURE RANGE	-20° F to +480° F (-29° C to +249° C)
ORIFICE SIZES	0.093 to 0.250 (2.4 to 6.4mm)
Cv FACTORS	0.23 to 1.40
END CONNECTIONS	1/8" to 3/8" Gyrolok® 1/8" to 1/4" NPT 3 to 10mm Gyrolok®

* Moderate vacuum is 10⁻⁵ to 10⁻³ torr.

** Maximum pressure rating depends on valve series.

ball valves

HOKE Incorporated

405 Centura Court • PO Box 4866 • Spartanburg, SC 29303

Phone (864) 574-7966 Fax (864) 587-5608

www.hoke.com • sales@hoke.com

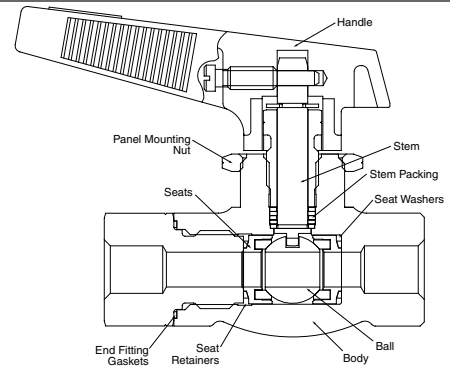
Flomite® 71 Series

Materials of Construction

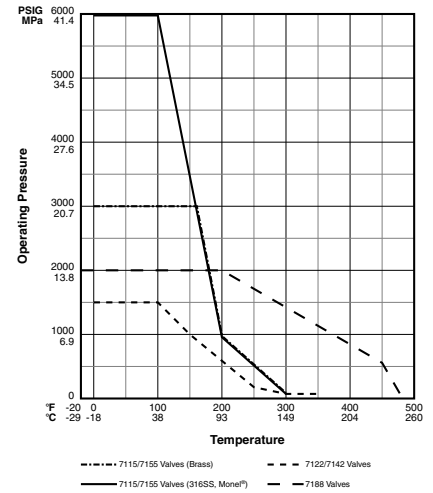
DESCRIPTION	BRASS	316 ST. STEEL	MONEL®
Body	Brass	316 st. steel	Monel®
Ball	316 st. steel	316 st. steel	Monel®
Stem	316 st. steel	316 st. steel	Monel®
Stem packing	—	Dyneon™	—
7188 Series	—	Dyneon™	—
Other valves	TFE/316 st. steel wafers	TFE/316 st. steel wafers	TFE/Monel® wafers
Seats:			
7115 & 7155 Series	Kel-F®	Kel-F®	Kel-F®
7122 & 7142 Series	TFE	TFE	TFE
7188 Series	—	Filled TFE	—
Seat retainers	Brass	316 stainless steel	Monel®
Seat washers†			
7115, 7155 & 7188 Series	Viton®	Viton®	Viton®
7122 & 7142 Series	TFE	TFE	TFE
End fitting gaskets			
7188 Series	—	Dyneon™	—
Other valves	TFE	TFE	TFE
Handle	Nylon	Nylon	Nylon
Panel mounting nut			
7115 Series	Nickel-plated brass	Nickel-plated brass	Nickel-plated brass
Other valves	Nickel-plated brass	316 st. steel	Nickel-plated brass

All 6,000 psig valves come with long red handles for reduced operating force. All other models have a short blue handle.

† Other elastomers are available upon request. Contact your local distributor.

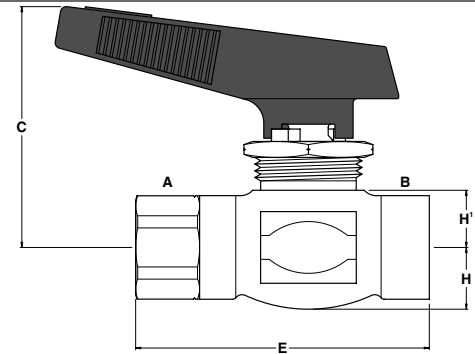


Pressure vs. Temperature Curve



Dimensions

INLET A	OUTLET B	C	E	H	H ¹	PANEL MOUNTING	
						MAX. THICKNESS	HOLE SIZE
1/8" Gyrolok	1/8" Gyrolok	inch 11 ³ / ₃₂	21 ⁹ / ₃₂	13 ³ / ₃₂	11 ³ / ₃₂	3/16	19 ³ / ₃₂
		mm 36	66	10	9	5	15
1/8" female NPT	1/8" female NPT for 0.125 orifice	inch 11 ³ / ₃₂	13 ³ / ₃₂	13 ³ / ₃₂	11 ³ / ₃₂	3/16	19 ³ / ₃₂
		mm 36	50	10	9	5	15
1/8" female NPT	1/8" female NPT for 0.250 orifice	inch 12 ³ / ₃₂	21 ⁹ / ₆₄	1/2	7/16	1/4	49 ⁶ / ₆₄
		mm 44	58	13	11	6	19
1/4" Gyrolok®	1/4" Gyrolok® for 0.125 orifice	inch 11 ³ / ₃₂	21 ¹ / ₁₆	13 ³ / ₃₂	11 ³ / ₃₂	3/16	19 ³ / ₃₂
		mm 36	68	10	9	5	15
1/4" Gyrolok®	1/4" Gyrolok® for 0.187 orifice	inch 12 ³ / ₃₂	33 ³ / ₃₂	1/2	7/16	1/4	49 ⁶ / ₆₄
		mm 44	78	13	11	6	19
1/4" male NPT	1/4" Gyrolok®	inch 17 ⁸ / ₈	27 ⁸ / ₈	1/2	7/16	1/4	49 ⁶ / ₆₄
		mm 48	73	13	11	6	19
1/4" male NPT	3/8" Gyrolok®	inch 17 ⁸ / ₈	27 ⁸ / ₈	1/2	7/16	1/4	49 ⁶ / ₆₄
		mm 48	73	13	1	6	19
1/4" male NPT	1/4" male NPT	inch 12 ³ / ₃₂	21 ⁷ / ₃₂	1/2	7/16	1/4	49 ⁶ / ₆₄
		mm 44	64	13	11	6	19
1/4" male NPT	1/4" female NPT	inch 17 ⁸ / ₈	21 ⁷ / ₃₂	1/2	7/16	1/4	49 ⁶ / ₆₄
		mm 48	64	13	1	6	19
1/4" female NPT	1/4" female NPT	inch 17 ⁸ / ₈	27 ¹ / ₁₆	1/2	7/16	1/4	49 ⁶ / ₆₄
		mm 48	62	13	11	6	19
3/8" Gyrolok®	3/8" Gyrolok®	inch 17 ⁸ / ₈	31 ⁴ / ₄	1/2	7/16	1/4	49 ⁶ / ₆₄
		mm 48	83	13	11	6	19
3mm Gyrolok®	3mm Gyrolok®	inch 11 ³ / ₃₂	21 ⁹ / ₃₂	13 ³ / ₃₂	11 ³ / ₃₂	3/16	19 ³ / ₃₂
		mm 36	66	10	9	5	15
6mm Gyrolok®	6mm Gyrolok® for 0.125 orifice	inch 11 ³ / ₃₂	21 ¹ / ₁₆	13 ³ / ₃₂	11 ³ / ₃₂	3/16	19 ³ / ₃₂
		mm 36	68	10	9	5	15
6mm Gyrolok®	6mm Gyrolok® for 0.187 orifice	inch 12 ³ / ₃₂	33 ³ / ₃₂	1/2	7/16	1/4	49 ⁶ / ₆₄
		mm 44	78	13	11	6	19
8mm Gyrolok®	8mm Gyrolok®	inch 17 ⁸ / ₈	31 ⁴ / ₄	1/2	7/16	1/4	49 ⁶ / ₆₄
		mm 48	83	13	11	6	19
10mm Gyrolok®	10mm Gyrolok®	inch 17 ⁸ / ₈	31 ⁸ / ₈	1/2	7/16	1/4	49 ⁶ / ₆₄
		mm 48	79	13	11	6	19



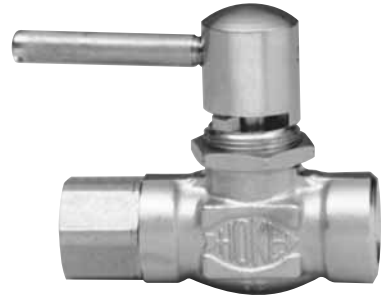
Dimensions for reference only, subject to change.

Flomite® 71 Series

Ordering Options

Metal Handles

Metal handles can be ordered for Flomite® 71 Series 2-way valves with an orifice of 0.187" or 0.25". To order, specify kit #7100K13 following the valve number.



Color-coded Handles

Color-coded handles are available for Flomite® 71 Series valves. Order by the part numbers listed below.

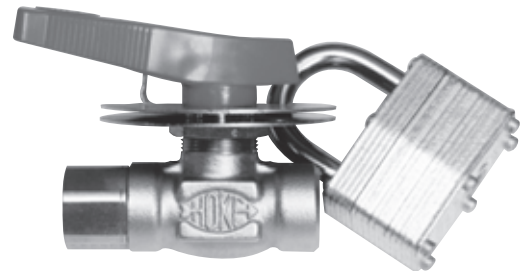
HANDLE COLOR	7115, 7122 & 7188 SERIES	7142 & 7155 SERIES
Red	#95683-030	#97346-030
Blue	#95683-031	#97346-031
Black	#95683-032	#97346-032
Green	#95683-033	#97346-033
Orange	#95683-034	#97346-034



Colors clockwise from top left: blue, black, orange, red, green

Handle Locking Kit

Safety lockout kits are available for applications which must conform to Code of Federal Regulations 29CFR Part 1910, OSHA Safety and Health Act, and other worldwide regulations. Valves can be locked in either an opened or closed position with the stainless steel upper and lower locking plates. Lock with readily available padlocks or commercially available multiple lockout devices. Locking kits include the locking plates and assembly instructions. To order a safety lockout kit for 7115, 7122 and 7188 Series valves, specify kit #7100K18.



Spare Parts

Spare parts and repair kits are available for all ball valves. Please contact your distributor for specific information.

Cleaning and Testing

When ordering, please specify if oxygen cleaning or helium leak testing is required.

Additional Sizes

Additional sizes and options are available on special request. Please consult your local HOKE distributor.

Flomite® 71 Series

How to Order

Flomite® 7115 & 7155 Series

Brass: Pressure to 3,000 psig; 316 Stainless Steel/Monel®: Pressure to 6,000 psig
Kel-F® Seats—Viton® Washers for Service from 0° F to 300° F

END CONNECTIONS		ORDER BY PART NUMBER				
INLET	OUTLET	BRASS	316 STAINLESS STEEL	MONEL®	ORIFICE	Cv
1/8" Gyrolok®	1/8" Gyrolok®	7155G2B	7155G2Y	—	0.093	0.23
1/8" female NPT	1/8" female NPT	7155F2B	7155F2Y	—	0.125	0.40
1/8" female NPT	1/8" female NPT	—	7115F2Y	—	0.250	1.40
1/4" Gyrolok®	1/4" Gyrolok®	7155G4B	7155G4Y	—	0.125	0.40
1/4" Gyrolok®	1/4" Gyrolok®	7115G4B	7115G4Y	7115G4M	0.187	0.80
1/4" male NPT	1/4" Gyrolok®	7115H4B	7115H4Y	—	0.187	0.80
1/4" male NPT	1/4" female NPT	7115L4B	7115L4Y	—	0.250	1.40
1/4" female NPT	1/4" female NPT	7115F4B	7115F4Y	7115F4M	0.250	1.40
3/8" Gyrolok®	3/8" Gyrolok®	7115G6B	7115G6Y	—	0.250	1.40
3mm Gyrolok®	3mm Gyrolok®	—	7155G3Y/MM	—	0.093	0.23
6mm Gyrolok®	6mm Gyrolok®	—	7155G6Y/MM	—	0.125	0.40
6mm Gyrolok®	6mm Gyrolok®	—	7115G6Y/MM	—	0.187	0.80
8mm Gyrolok®	8mm Gyrolok®	—	7115G8Y/MM	—	0.250	1.40
10mm Gyrolok®	10mm Gyrolok®	—	7115G10Y/MM	—	0.250	1.40



7155G2Y

Flomite® 7122 & 7142 Series

Pressure to 1,500 psig
TFE Seats—TFE Washers for Service from 0° F to 350° F

END CONNECTIONS		ORDER BY PART NUMBER				
INLET	OUTLET	BRASS	316 STAINLESS STEEL	MONEL®	ORIFICE	Cv
1/8" Gyrolok®	1/8" Gyrolok®	7142G2B	7142G2Y	—	0.093	0.23
1/8" female NPT	1/8" female NPT	7142F2B	7142F2Y	—	0.125	0.40
1/4" Gyrolok®	1/4" Gyrolok®	7142G4B	7142G4Y	—	0.125	0.40
1/4" Gyrolok®	1/4" Gyrolok®	7122G4B	7122G4Y	7122G4M	0.187	0.80
1/4" male NPT	1/4" Gyrolok®	7122H4B	7122H4Y	—	0.187	0.80
1/4" male NPT	3/8" Gyrolok®	—	7122H46Y	—	0.250	1.40
1/4" male NPT	1/4" male NPT	—	7122M4Y	—	0.250	1.40
1/4" male NPT	1/4" female NPT	7122L4B	7122L4Y	—	0.250	1.40
1/4" female NPT	1/4" female NPT	7122F4B	7122F4Y	7122F4M	0.250	1.40
3/8" Gyrolok®	3/8" Gyrolok®	7122G6B	7122G6Y	—	0.250	1.40
3mm Gyrolok®	3mm Gyrolok®	—	7142G3Y/MM	—	0.093	0.23
6mm Gyrolok®	6mm Gyrolok®	—	7142G6Y/MM	—	0.125	0.40
6mm Gyrolok®	6mm Gyrolok®	—	7122G6Y/MM	—	0.187	0.80
8mm Gyrolok®	8mm Gyrolok®	—	7122G8Y/MM	—	0.250	1.40
10mm Gyrolok®	10mm Gyrolok®	—	7122G10Y/MM	—	0.250	1.40



7122F4B

Flomite® 7188 Series

Pressure to 2,000 psig
Filled TFE Seats—Viton® Washers for Service from -20° F to +480° F

END CONNECTIONS		ORDER BY PART NUMBER			
INLET	OUTLET	316 STAINLESS STEEL	ORIFICE	Cv	
1/4" Gyrolok®	1/4" Gyrolok®	7188G4Y	0.187	0.80	
1/4" female NPT	1/4" female NPT	7188F4Y	0.250	1.40	
3/8" Gyrolok®	3/8" Gyrolok®	7188G6Y	0.250	0.80	



7188F4Y: Provides Service to 480° F

Gyrolok®, Flomite® and Dyna-Pak® are registered trademarks of HOKE Incorporated.

Kel-F® is a registered trademark of 3M Company.

Monel® is a registered trademark of Special Metals Corporation.

Viton® is a registered trademark of DuPont Dow Elastomers.

Dyneon™ is a trademark of Dyneon.